

# ZF8HP45, ZF8HP70

# sonnax®

TIME TESTED • INDUSTRY TRUSTED®

1 Automatic Drive • P.O. Box 440 • Bellows Falls, VT 05101-0440 USA  
(800) 843-2600 • (802) 463-9722 • F: (802) 463-4059 • www.sonnax.com

Click on Sonnax part numbers  
to see more information.

**1 35740-13K**  
**Oversized TCC Valve Kit**

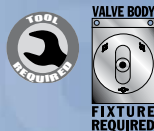


*Helps cure:*

- Converter shudder & TCC slip
- TCC codes
- Overheated converter

**Note:** Requires tool kit F-35740-TL13 & the VB-FIX reaming fixture.

**2 35740-18K**  
**Oversized TC Pressure Valve Kit**

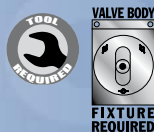


*Helps cure:*

- TCC codes & overheating
- Harsh TCC apply
- Excess TCC slip
- Coastdown clunk

**Note:** Requires tool kit F-35740-TL5 & the VB-FIX reaming fixture.

**3 35740-05**  
**Oversized TC Switch Valve**



*Helps cure:*

- No lockup
- Soft & harsh TCC apply
- Excess TCC slip
- TCC codes

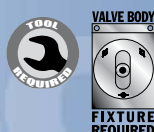
**Note:** Requires tool kit F-35740-TL5 & the VB-FIX reaming fixture.

**4 35740-03**  
**Pressure Regulator Sleeve**

*Helps cure:*

- Harsh/Erratic line pressure
- Restricted converter/lube flow

**5 35740-01K**  
**Oversized Pressure Regulator Valve Kit**

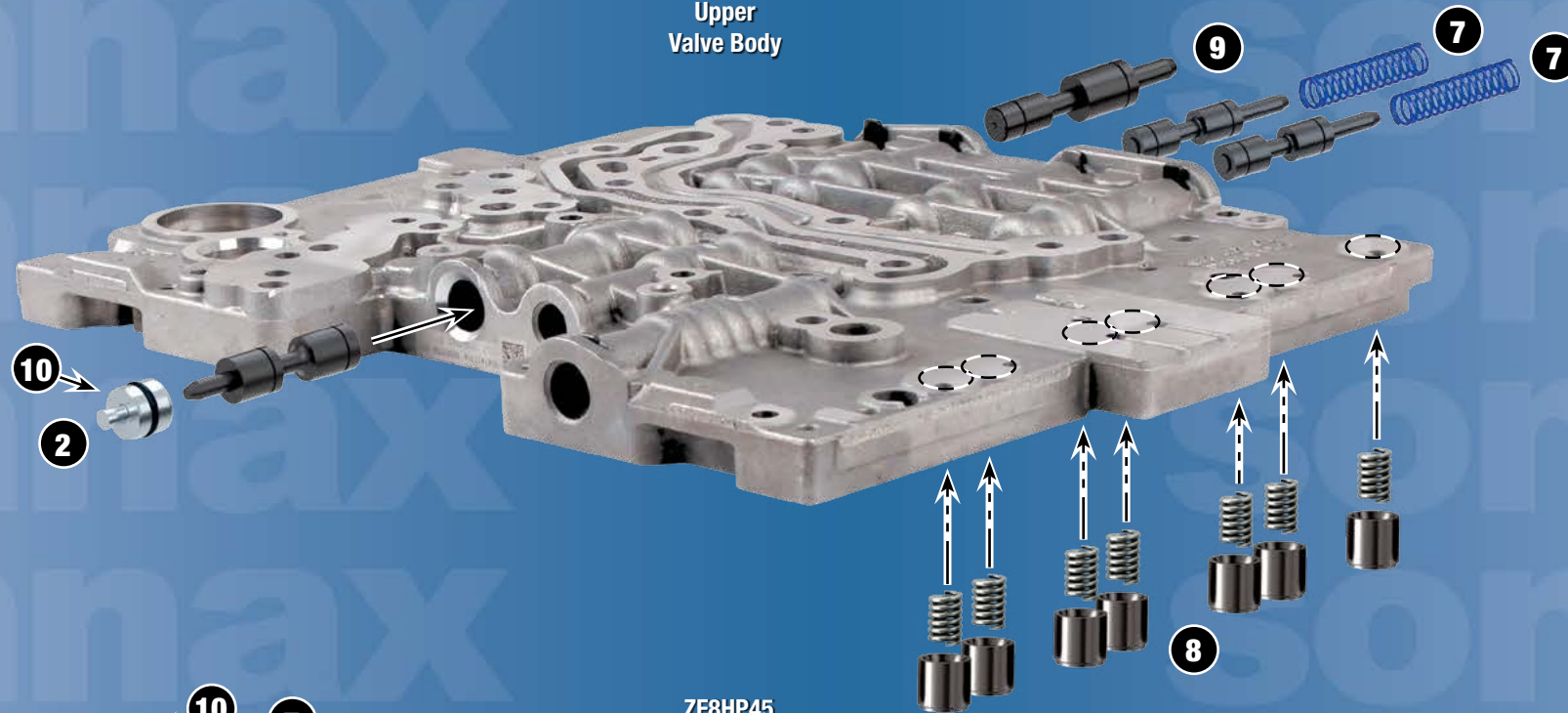


*Helps cure:*

- Harsh/Soft shifts
- High line pressure
- Burnt clutches
- Restricted converter/lube flow

**Note:** Requires tool kit F-35740-TL & the VB-FIX reaming fixture.

ZF8HP45  
Upper  
Valve Body

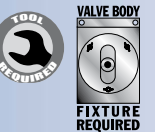


ZF8HP45  
Lower  
Valve Body



**NOTE:** All parts listed also fit the ZF8HP55, but bore location may be different. Please see individual part pages for details on www.sonnax.com.

**6 35740-21K**  
**Oversized Priming Valve Kit**



*Helps cure:*

- Harsh/Flare/Neutral shifts
- Gear ratio & solenoid codes
- Wrong gear starts
- Delayed engagement

**Note:** Requires tool kit F-35740-TL20 & the VB-FIX reaming fixture.

**7 35740-20K**  
**Oversized Clutch Holding Valve Kit**



Fits 5 Locations

*Helps cure:*

- Bump/Flare shifts
- Burnt clutch
- Gear ratio & solenoid codes
- Gear loss

**Note:** Requires tool kit F-35740-TL20 & the VB-FIX reaming fixture.

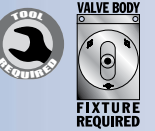
**8 95740-15K**  
**Accumulator Piston Kit**

Contains 7 Sets

*Helps cure:*

- EDS codes
- Firm shifts
- Harsh engagement

**9 35740-22**  
**Oversized B2 Clutch NIC Valve**



*Helps cure:*

- B Clutch burned
- Delayed/No Forward & Reverse
- NIC concerns

**Note:** Requires tool kit F-35740-TL22 & the VB-FIX reaming fixture.

**10 35740-30K**  
**O-Ringed End Plug Kit**

3 End Plugs  
8 Internal End Plugs

*Helps cure:*

- Burnt clutches
- Harsh/Soft/Flare shifts
- Pressure loss