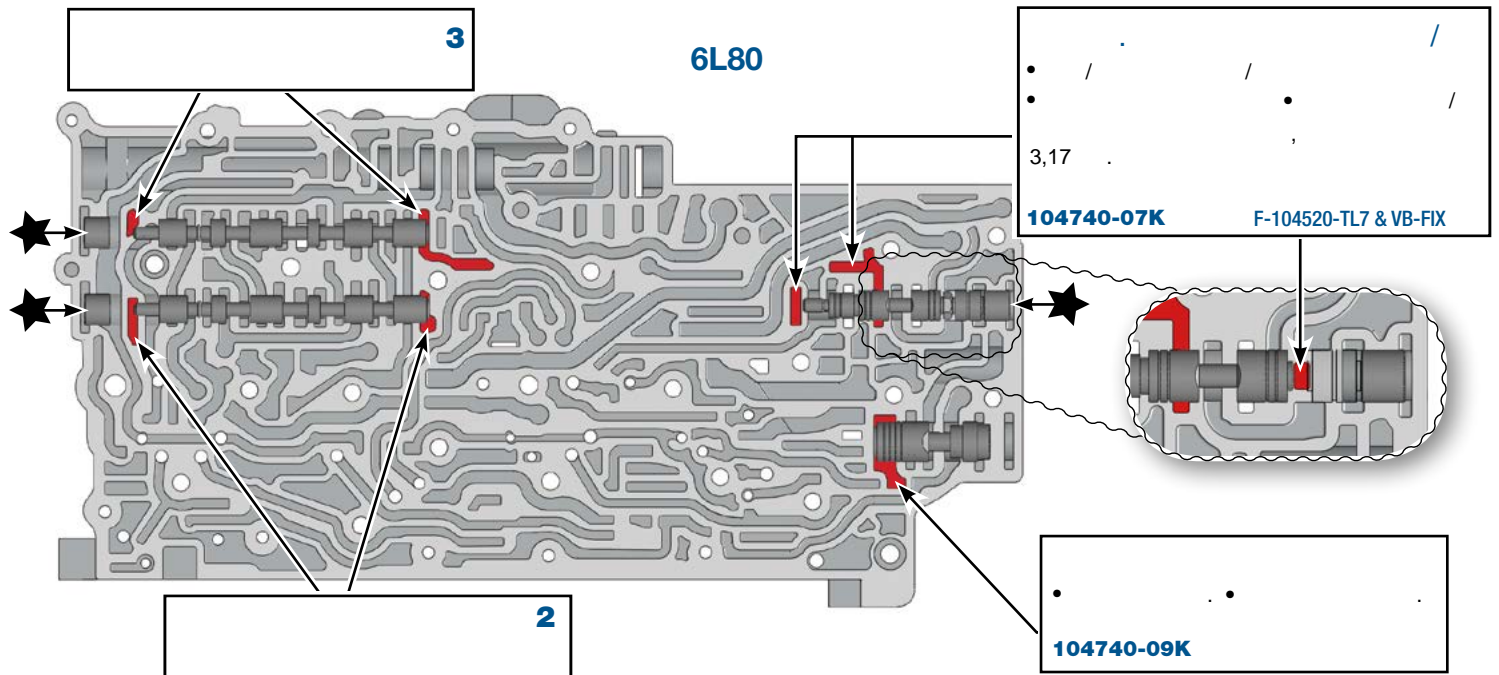
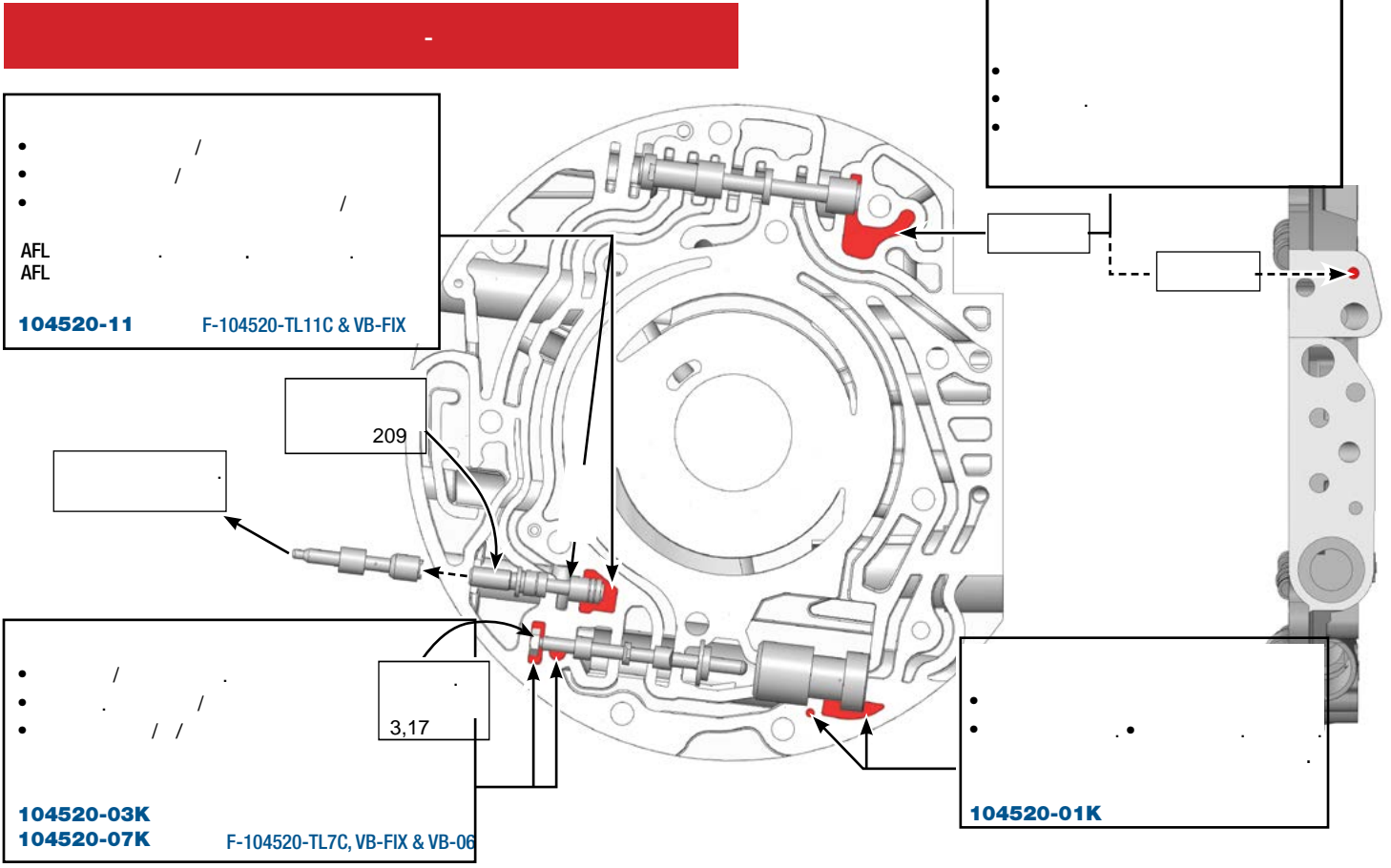


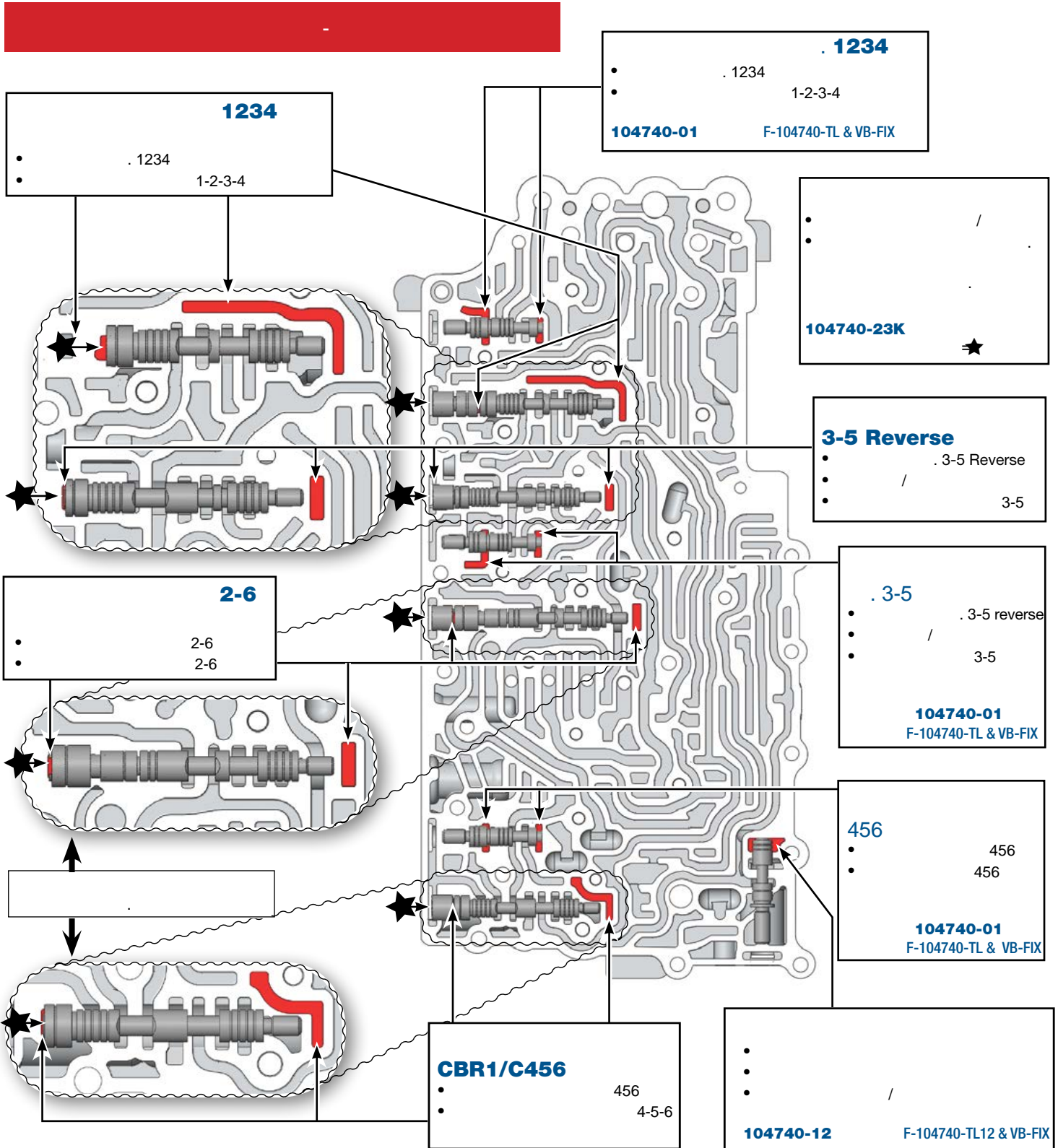


• 6L80



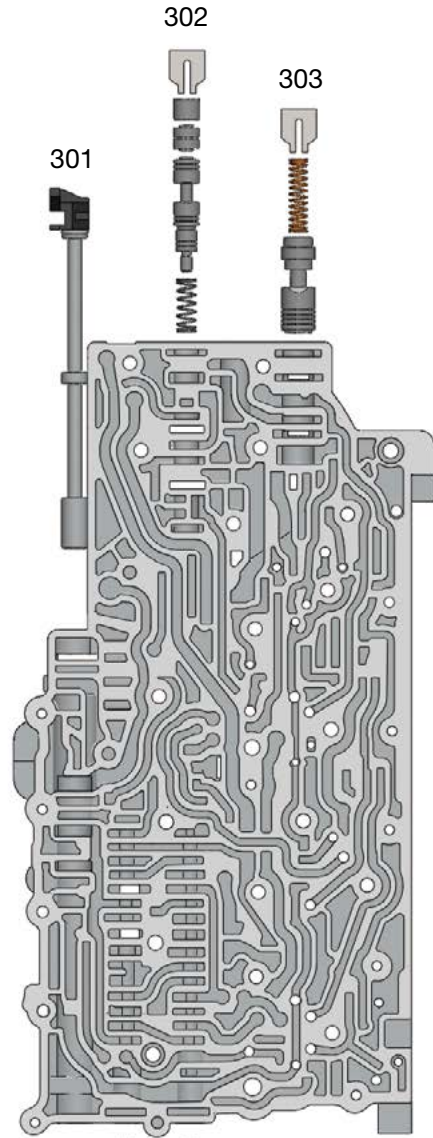
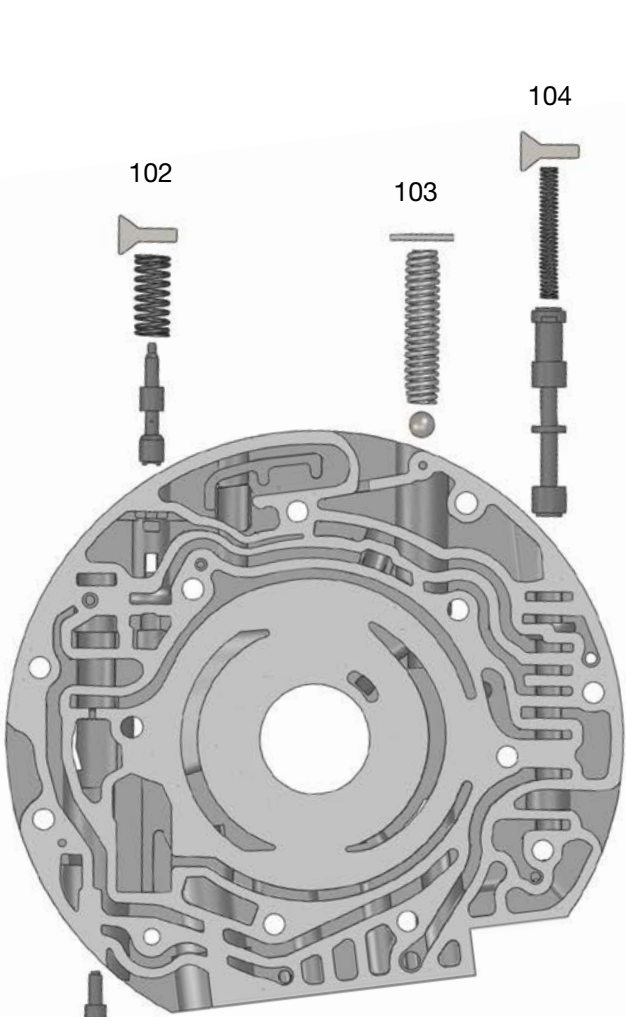


**6L80**





• 6L80

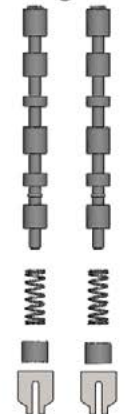


101	
102	/
103	.
104	/

301	.
302	/
303	.
304	.3
305	.2



101

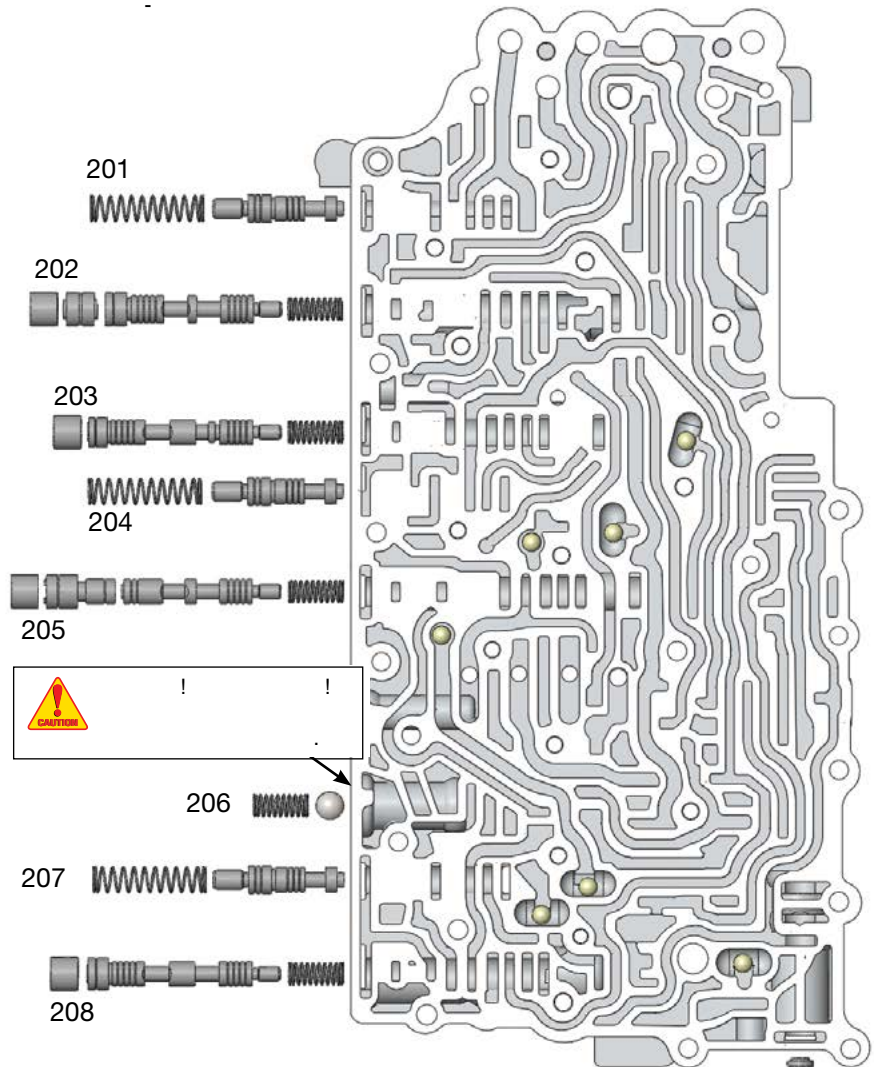


304 305



• 6L80

201	1234
202	1234
203	3-5 Reverse
204	3-5 Reverse
205	2-6
206	
207	456
208	CBR1/C456
209	



**6L45-6L90**

	Shift Sol 1	Shift Sol 2	1-2-3-4 CL PC Sol 5 N.L.	2-6 CL PC Sol 4 N.L.	3-5 Rev. CL PC Sol 2 N.H.	Low Rev. 4-5-6 CL PC Sol 3 N.H.	1-2-3-4 Clutch	3-5 Rev. Clutch	4-5-6 Clutch	2-6 Clutch	Low & Rev. Clutch	Low Clutch Sprag
Park											*	
Reverse												
Neutral											*	
D-1st Braking												
D-1st												
D-2nd												
D-3rd												
D-4th												
D-5th												
D-6th												



1 2, PC - ON - , OFF -

\* =